



# SM CRANE & MATERIALS HANDLING SOLUTION

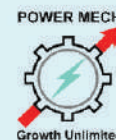
*(An ISO 9001:2015 Certified Company)*



AN ISO 9001:2015  
Certified Company

[www.smcranesolution.com](http://www.smcranesolution.com)

## OUR VALUABLE CLIENTS



## ABOUT US

SM Crane & Materials Handling Solution is emerging as a leading Engineering company manufacturing a wide range of material handling equipment such as Electric Overhead Travelling Cranes, Grabbing Cranes, Gantry Cranes, Single Girder Cranes, Jib Cranes, Transfer Trolleys, Electric Hoists, Grab Buckets, Good Lifts, etc.



Power Plant



Moulding Industries



Automotive Industries

## OUR AFFILIATIONS





## SM Crane & Materials Handling Solution

We are manufacturing for

---

- DGEOT CRANE
- SGEOT CRANE
- SEMI GANTRY CRANE
- GANTRY CRANE
- JIB CRANE
- WALL MOUNTED JIB CRANE
- MONO RAIL HOIST
- ELECTRIC CHAIN HOIST
- UNDER SLUNG CRANE
- HAND PALLET LIFTER
- GOODS LIFT



DGEOT CRANE



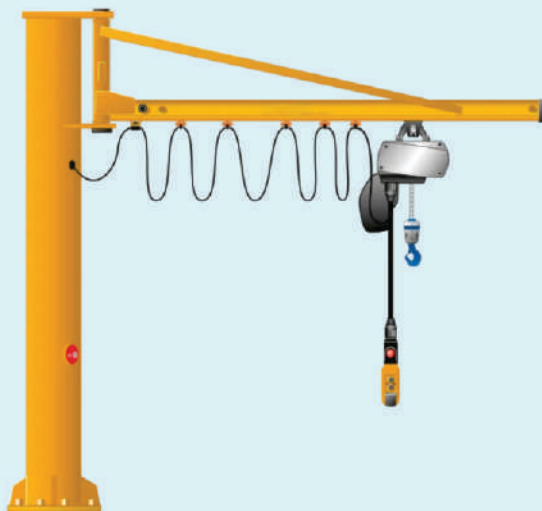
SGEOT CRANE



SEMI GANTRY CRANE



GANTRY CRANE



JIB CRANE



WALL MOUNTED JIB CRANE



MONO RAIL HOIST



WENCH MACHINE



UNDER SLUNG CRANE



GOODS LIFT



HAND PALLET LIFTER



WIRE ROPE HOIST



## **ELECTRIC CHAIN HOIST SPARES**

### **Any Make of Electric Chain Hoist**

- Load Chain (4-12)MM
- Brake Rotor
- Chain Drive/Guide
- Load Pin
- Chain Sprocket
- Suspension Hook
- Chain Bucket
- Limit Switch
- Chain Rubber Buffer
- Load Trolley
- Suspension Pin
- Slip Clutch
- Load Hook
- Cable Trolley
- Safety Pin
- Chain Stopper

**ELECTRIC CHAIN HOIST**

## OUR SERVICES

### Crane Health Assessment Report

- Cranes which have been in operation for more than 2 years without any major inspections or overhauls.
- Where only breakdown & routine maintenance is practiced. Regular breakdowns are reported.
- Where the housekeeping & upkeep of the crane is not really a priority.



### Annual Maintenance Contracts

- From simple quarterly services on a few pieces of equipment to complete full-time, onsite maintenance partnerships to service hundreds of cranes, SM Crane Materials Handling Solution offers maintenance programs that can be customized to the needs of your equipment and production.



### Breakdown Service

- SM Crane & Materials Handling Solution offers you a wide range of crane breakdown services as per customers, can avail our services at any time as per their needs and at affordable rates.



### Modification/Moderization Work

- SM Crane & Materials Handling Solution offers you quick and cost-effective ways to keep your cranes up to date. Be it retrofitting VFD drives or radio remote controls, ask SM Crane & Materials Handling how best to simplify using your cranes



### Overhauling

- We provide our technical expertise & ready manpower for erection, revamping, overhauling, and dismantling services for your entire range of heavy engineering material handling and shifting equipment. We are supply and service all types of EOT & HOT cranes like single girder EOT crane, double girder EOT crane, gantry crane, monorail crane, goliath crane, jib crane, and goods lift. So you can rely on us for Turn-Key Projects of various dimensions.

### Crane Operator Training

- SM Crane & Materials Handling Solution rigorously follows the principle that knowledge is power and provides services that go beyond conventional practices. SM Crane & Materials Handling Solution have been educating customers with all the best practices on Crane operations and safety through informative Crane operator training programs.





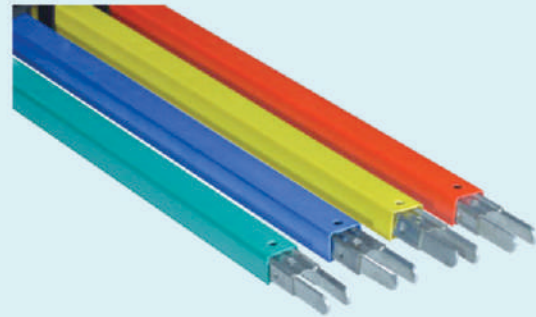
# DSL BUS BAR SYSTEM

## 1.) DSL SHROUNDED BUS BAR SYSTEM

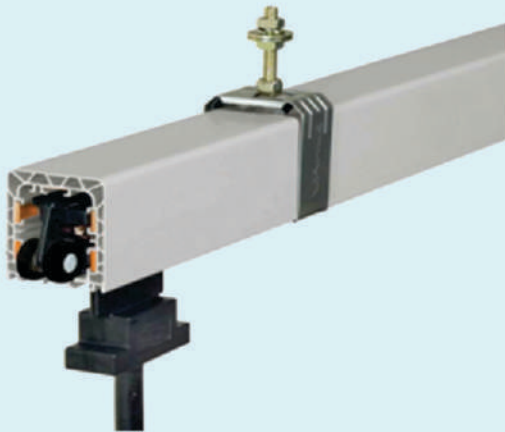
Bolt Joint Busbar



Pin Joint Busbar



## 2.) DSL ENCLOSED BUSBAR



## 3.) IRON BUSBAR



### TECHNICAL DATA FOR DSL BUS BAR

| Conductor Bar System                         | Galvanized Steel  |          |          | Copper   |          |          | Aluminium / SS |          |
|--|---|----------|----------|----------|----------|----------|----------------|----------|
|  | 60  | 100      | 125      | 160      | 250      | 400      | 200            | 315      |
| Nominal Current (A)<br>At 100% Duty and 35°C |   |          |          |          |          |          |                |          |
| DC resistance (Ω/M) At +<br>35°C             | 0.003584  | 0.002867 | 0.001933 | 0.000342 | 0.000274 | 0.000184 | 0.000301       | 0.000261 |
| Impedance (Ω/M) At +<br>35°C                 | 0.003604  | 0.002891 | 0.001968 | 0.000364 | 0.000300 | 0.000221 | 0.000325       | 0.000288 |
| <b>Voltage Grade [V]</b>                     | <b>600</b>  |          |          |          |          |          |                |          |
| Support Spacing [mm]                         | 1125  |          |          |          |          |          |                |          |
| Bar Length [mm]                              | 4500  |          |          |          |          |          |                |          |
| Outside Dimensions [mm]                      | 23 x 27   |          |          |          |          |          |                |          |
| Permissible Ambient<br>Temperature           | -30°C + 55°C (Standard Insulation) -30°C + 85°C (High Temperature Insulation) |          |          |          |          |          |                |          |

## DSL BUS BAR ACCESSORIES



4 Pole Hunger



3 Pole Hunger



1 Pole Hunger



Joint Cover



End Power Feed



End Cap



Steel Joints



Copper Joints



Mounting Angle



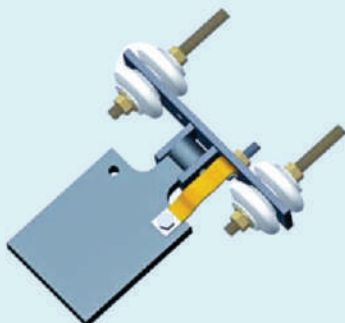
Single Collector Bracket



250A Current Collector



125A Current Collector



Current Collector



Busbar Insulator

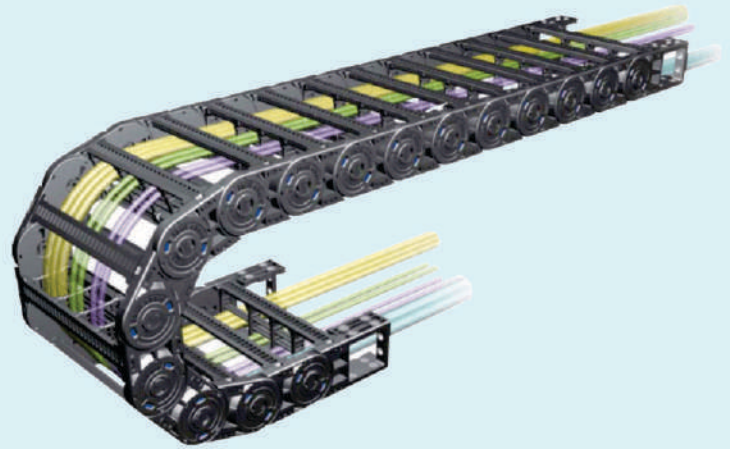
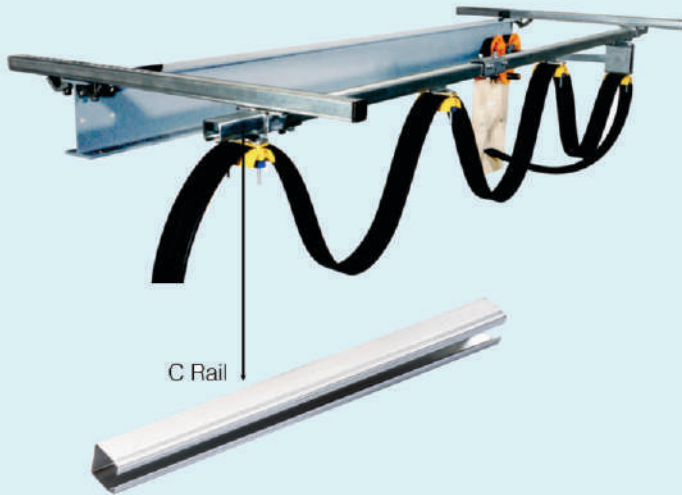


DSL Joints



Joint Cover

# CABLE MOVEMENT SYSTEM



**C Rail Festoon System**

**Drag Chain System**

## APPLICATION

- Overhead Cranes & Port Cranes
- To Electrify many mobile equipments
- Any other material handing equipments

## FEATURES

- Light Weighted
- Less Friction & Smooth Motion
- Simple & Safe Installation



**Square Clamp**



**Hanger Clamp**



**Track Couplers**



**Towing Trolley**



**Mounting Angle**



**Master Trolley**



**Steel Trolley**



**Clamp**

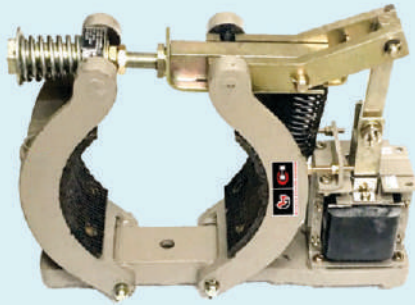


**I-Beam Trolley  
(50-125)MM**

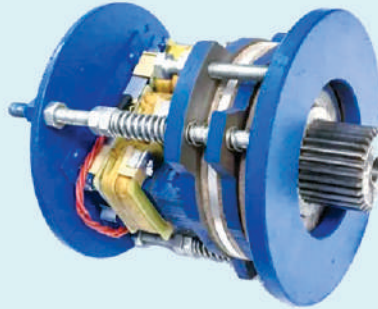


**I-Beam Trolley  
(50-125)MM**

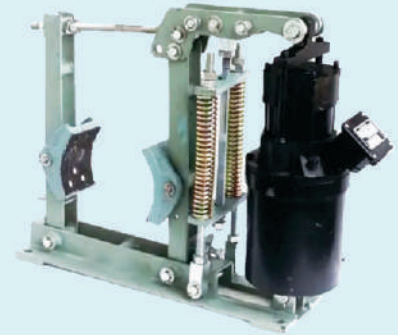
# CRANE CONTROL EQUIPMENT



AC Solenoid Brake



AC Brake



Thruster Brake



DC Disc Brake



Brake Rectifier



Brake Disc



VFD Control Panel



3 Phase Indication Lamp



Flashing Hooter

# CRANE CONTROL EQUIPMENT



Pendant Station



Radio Remote Control (RRC)



Master Controller



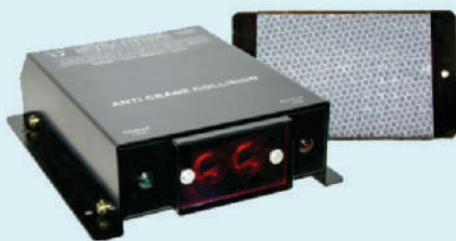
Long Liver Limit Switch



Gravity Limit Switch



Rotary Limit Switch



Anti Collision Device

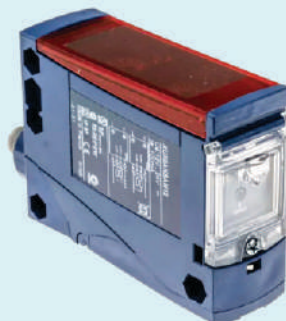


Photo Sensor



Human Sensor

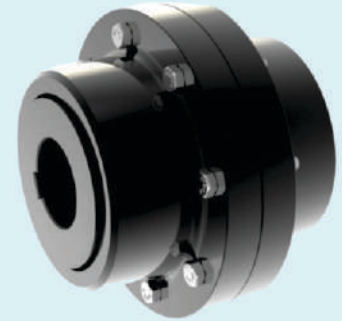
## CRANE CONTROL EQUIPMENT



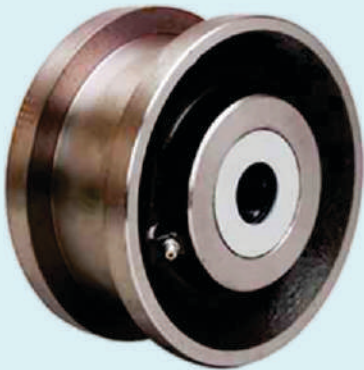
WIRE ROPE DRUM



BRAKE DRUM



GEAR COUPLING



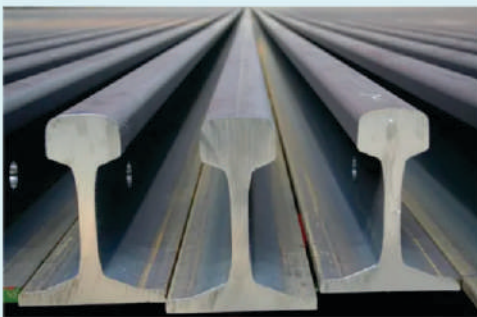
CRANE WHEEL



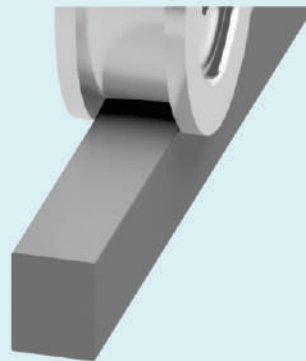
BEARING BLOCK



GEARBOX OUTPUT SHAFT



LBS RAIL



SQUARE BAR



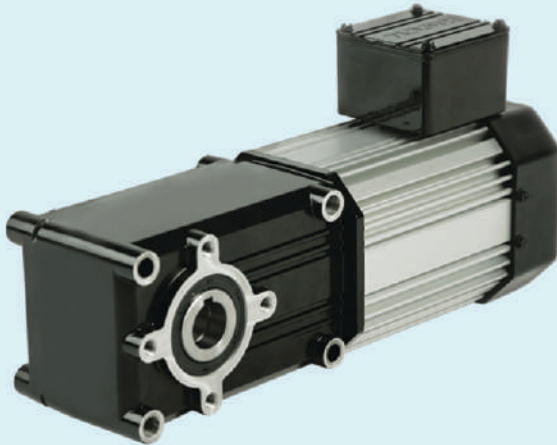
HOOK BLOCK



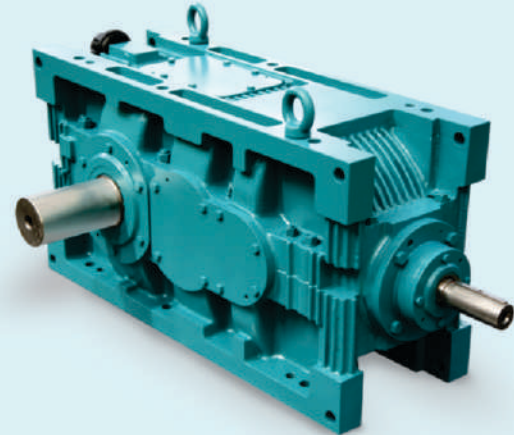
CONCENTRIC GEAR BOX



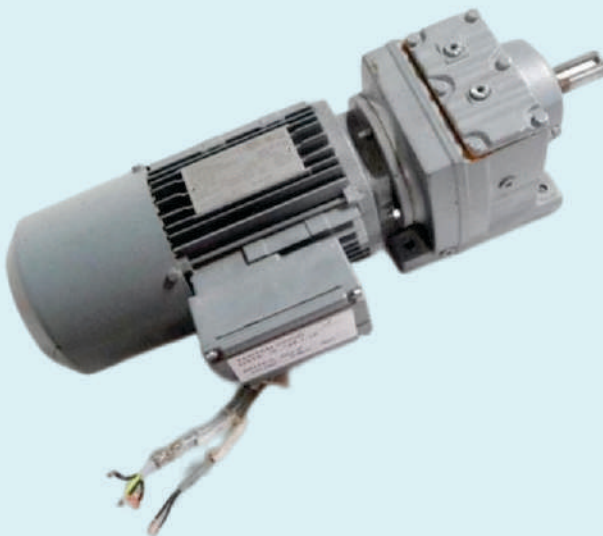
PARALLEL GEARBOX



RIGHT ANGLE GEARBOX



EOS SERIES GEARBOX



SEW BRAKE MOTOR



ABB BRAKE MOTOR

# THANK YOU



## **SM CRANE & MATERIALS HANDLING SOLUTION**

*(An ISO 9001:2015 Certified Company)*

Regd. Office: Village-Tengrari, Minapur, Distt.-Muzaffarpur, Bihar - 843128

Work Office: N-018, Malakpur, Greater Noida-201306 (U.P.)

Mob.: +91 9599529687, +91 9582670032

Email: [smcranesolution@gmail.com](mailto:smcranesolution@gmail.com), [info@smcranesolution.com](mailto:info@smcranesolution.com),

Website: [www.smcranesolution.com](http://www.smcranesolution.com)